

# Typical Performance Technical Data Sheet

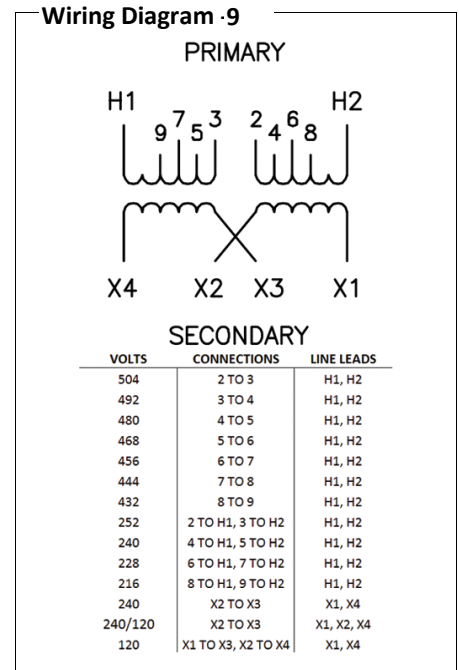


## Catalog No S2XLH21-15

Characteristics	
Phase	1
KVA	15
Primary	240x480v
Secondary	120/240v
Conductor	Aluminum
Temp. Rise	150° C
Frequency	60 HZ
Taps	+2, -4 x 2.5%
ESS	No
Insulation	220° C
Weathershield	WS-3
Wall Bracket	WMB-3
Weight (lbs)	170
Sound (dB)	45

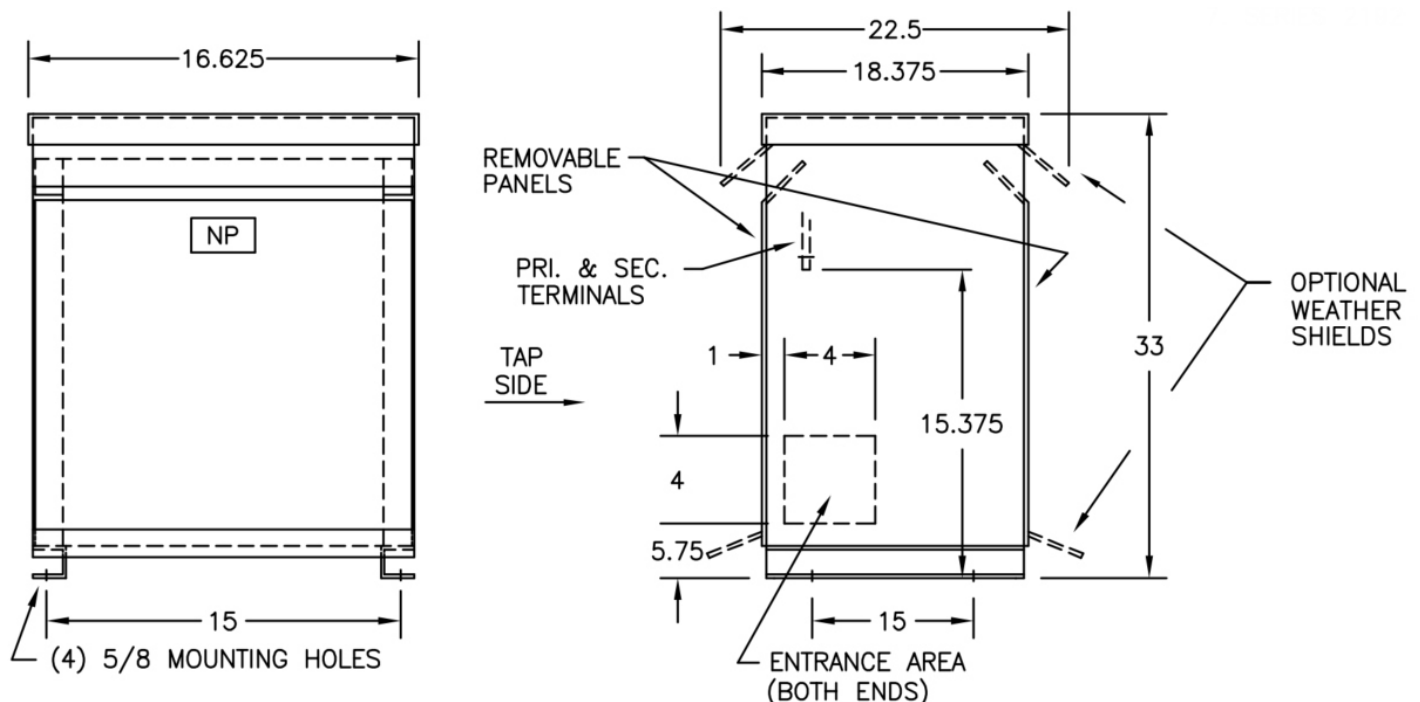
Typical Performance @ 170° C	
Regulation @ 100% PF	4.8%
Regulation @ 80% PF	4.7%
Impedance	5.0%
No Load Losses (W)	65
Full Load Losses (W)	720

AMP Ratings	
Line In (Load) @ 240V	63 A
Line In (Load) @ 480V	31 A
Load (Secondary) @ 120V	125 A
Load (Secondary) @ 240V	63 A



### Notes

All units are UL listed and are designed in accordance with applicable NEMA, ANSI and IEEE standards.  
 Transformers are dry-type AA, ventilated NEMA 2 enclosure.  
 If a weathershield is indicated above this transformer can be converted to a NEMA 3R enclosure.  
 Transformers are floor mounted. Wall mounting bracket kit if shown above is optional and is supplied as a separate accessory.  
 Paint color is ANSI 61.



Outline No: 05A1253

Meets 10 CFR 431(DOE 2016) Efficiency  
 Dry Type Transformer General Purpose

© 2017 Electro-Mechanical Corporation

For reference only  
 Subject to change without notice